

# BESTLIFT™

## NEW! PL400EF | FULL BODY PATIENT LIFT

The Bestlift PL400EF represents a new standard in full body lifts for individuals who travel or have storage issues in their home. PL400EF assembles or folds with 3 easy steps allowing for full operation or preparing for storage or transport



- Portable and foldable for easy storage and transportation
- Lightweight and easy to move
- 400lb capacity
- Optional scale available
- Optional spare battery and wall charger available
- Easy to service and all parts can be disassembled in minutes



PUSH HANDLES



FITS IN CAR TRUNK



ROLLS ON CASTERS

# | PL400EF



PL400EF BEING USED  
STANDING ON THE FLOOR



PL400EF BEING USED ON  
THE BED



PL400EF BEING USED WITH  
A WHEELCHAIR

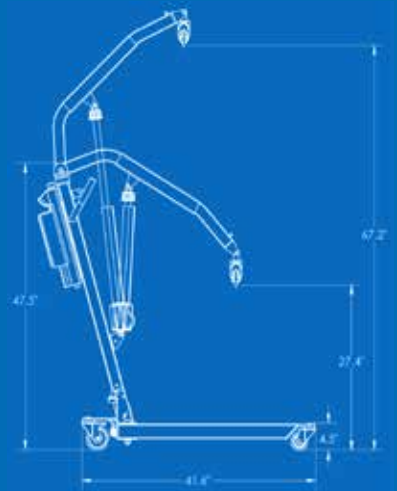
## | DIMENSIONS

Key dimensions of PL400EF	
maximum capacity	400Lb / 180Kg
base legs length	41.6"
base closed external width	25.8"
based open external width	37.7"
mast height	47.5"
base height	4.5"
min. lifting height	27.4"
max. lifting height	67.2"
net weight	83Lb / 38Kg
shipping weight	106Lb / 48Kg

\* SPECIFICATIONS PROVIDED ARE A GENERAL GUIDELINE  
AND ARE SUBJECT TO CHANGE WITHOUT NOTICE



TOP VIEW OF PL400EF



SIDE VIEW OF PL400EF



FOLDED AND FLAT



FOLDED AND STANDING



2920 PACIFIC DR., NORCROSS, GA 30071  
WWW.BESTCARELLC.COM  
678-679-6690