

# BESTSTAND™

## SA400 | SIT-TO-STAND

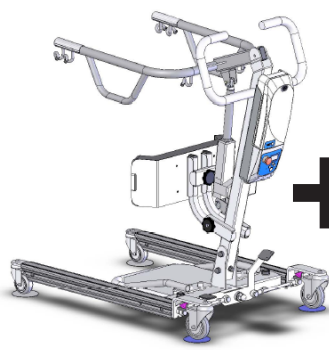
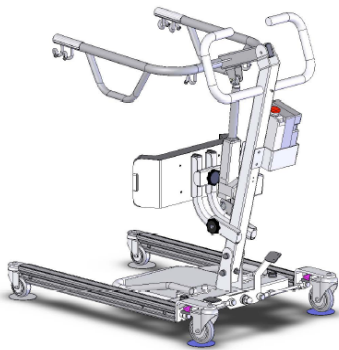
The U-shaped boom with 6 point sling attachment will meet the specific needs of the patient with maximum comfortability. The BestStand™ SA400 has padded comfort single piece adjustable kneepad. A removable footplate is another great feature.

- Up to 400lb weight capacity
- Available with new Bestcare Performance Electronics



# | SA400EL

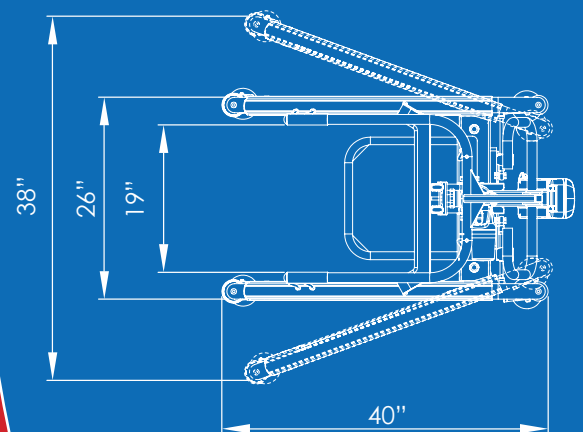
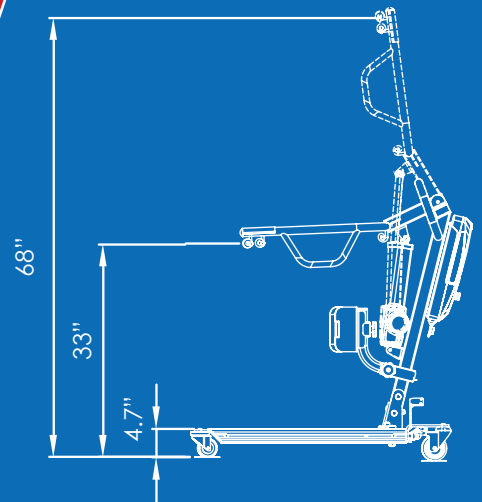
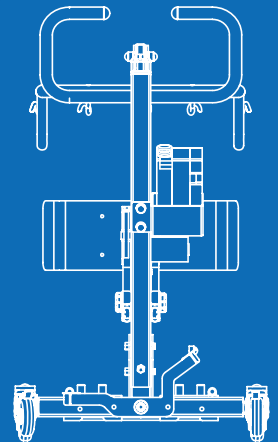
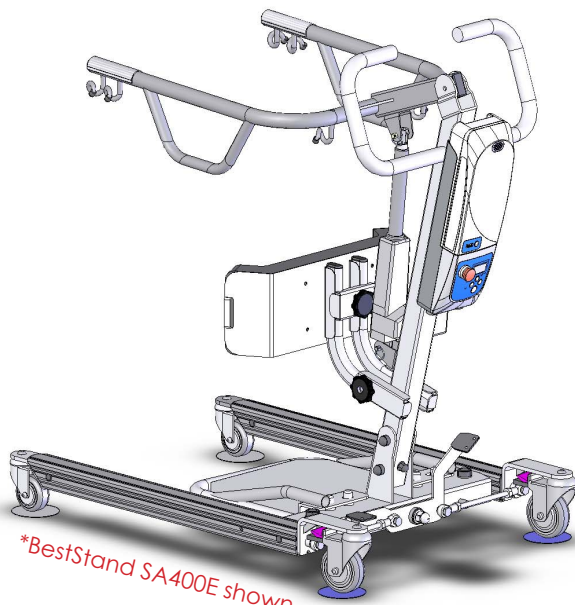
# | SA400E-D



**NEW!**  
**CONTINUOUS PERFORMANCE**

\*charger shown  
**24/7 ELECTRONICS**

# | DIMENSIONS



SPECIFICATIONS FOR SA400	
maximum capacity	400Lb / 180Kg
base legs length	40"
internal width	19"
external width	26"
expandable internal width	38"
base height	4.7"
min. lifting height	33"
max. lifting height	68"

**\* SPECIFICATIONS PROVIDED ARE A GENERAL GUIDELINE AND ARE SUBJECT TO CHANGE WITHOUT NOTICE**