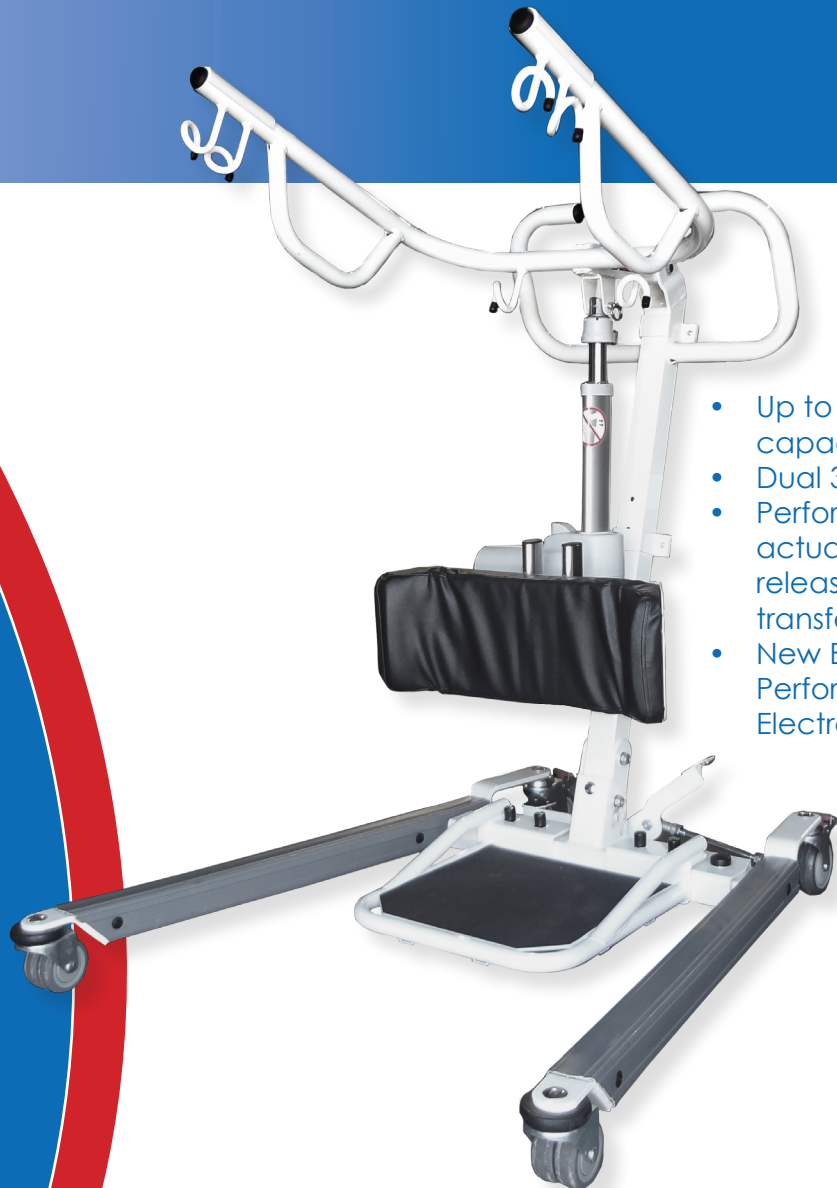


# BESTSTAND™

NEW!

## SA500 | SIT-TO-STAND

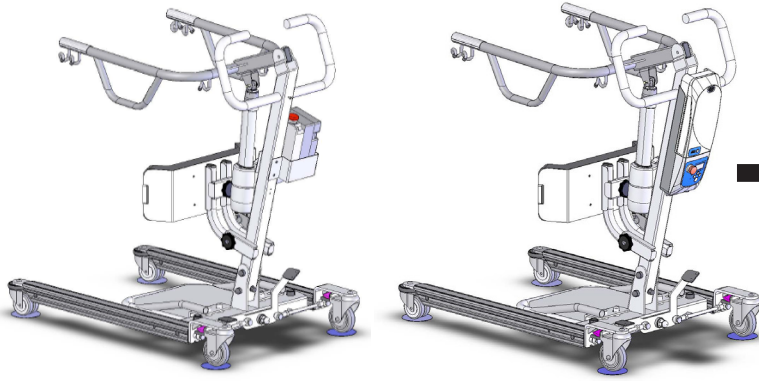
This 500lb Sit-to-Stand patient lift has higher weight capacity than the SA400. With its 3" dual front casters it ensures safe and easy transfers. Our performance class actuator also include an emergency quick release. BestCare also offers our continuous operation upgrade.



- Up to 500lb weight capacity
- Dual 3" front castors
- Performance class actuator with quick release for faster transfers
- New Bestcare Performance Electronics

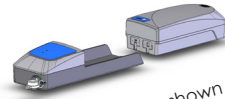
| SA500EL

| SA500E-D



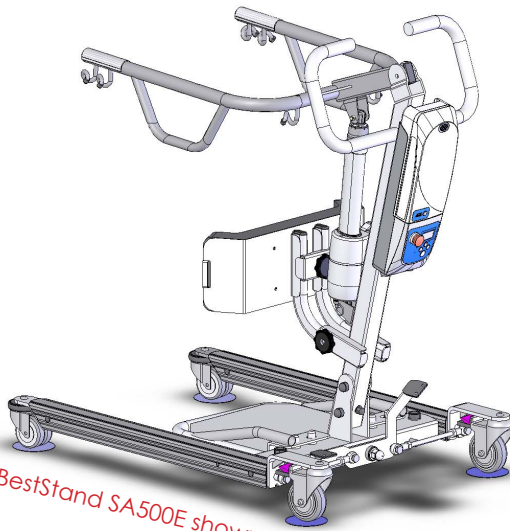
**NEW!**

**CONTINUOUS  
PERFORMANCE**

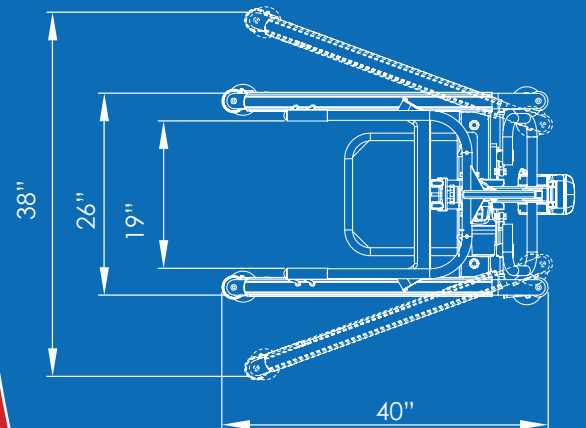
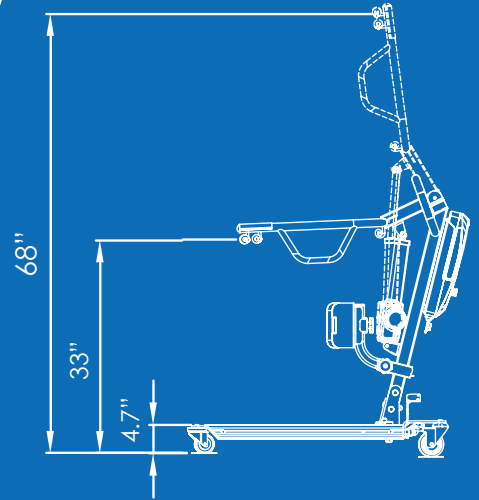
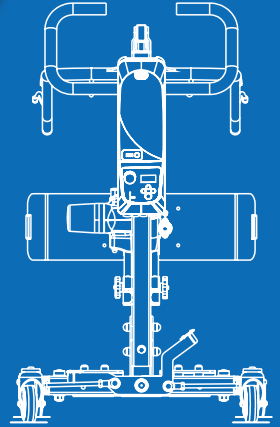


\*charger shown  
**24/7 ELECTRONICS**

## | DIMENSIONS



*\*BestStand SA500E shown*



### SPECIFICATIONS FOR SA500

maximum capacity	500Lb / 230Kg
base legs length	40"
external width	26"
expandable internal width	38"
base height	4.7"
min. lifting height	33"
max. lifting height	68"
internal width	19"

**\* SPECIFICATIONS PROVIDED ARE A GENERAL GUIDELINE  
AND ARE SUBJECT TO CHANGE WITHOUT NOTICE**